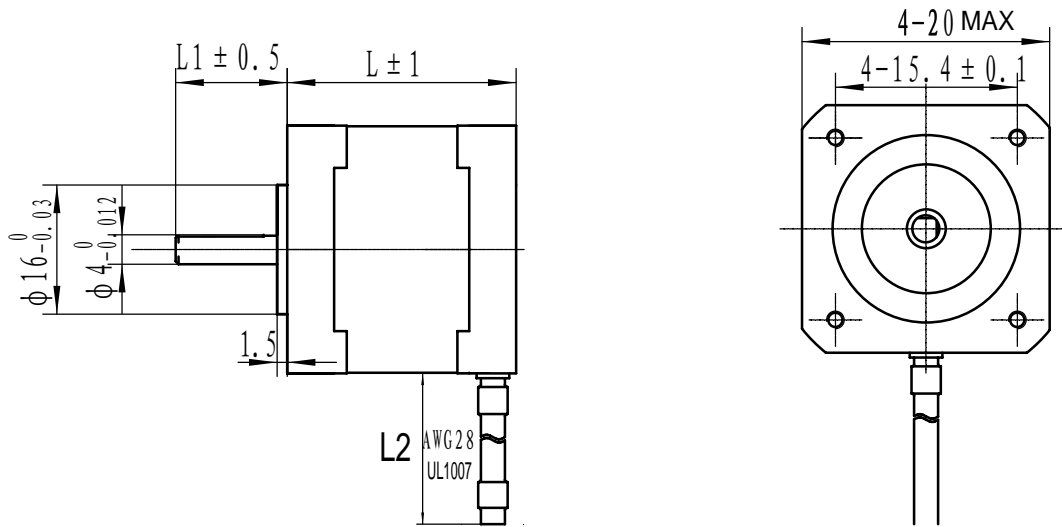


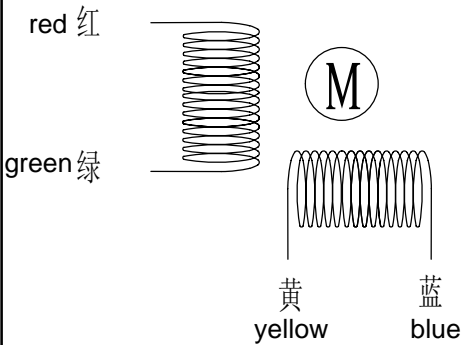
NEMA 8 SERIES DEMENSIONS



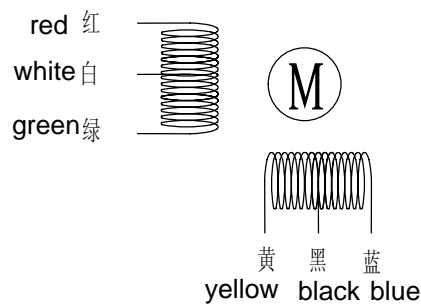
- Remark: 1. Shaft and wires length can be made according to customers requirements.
 2. Shaft can be made round or with flat side.
 3. Shaft can also be made double shaft. The length also can be made according to customers requirements.

WIRING DIAGRAM

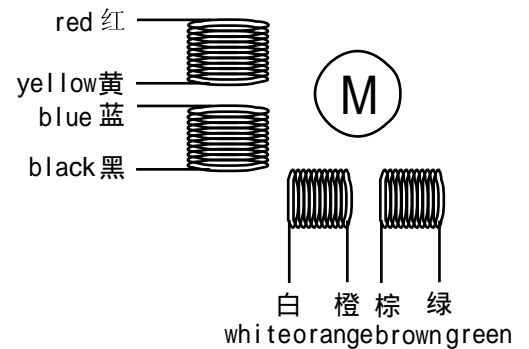
1. four lead wires wiring diagram



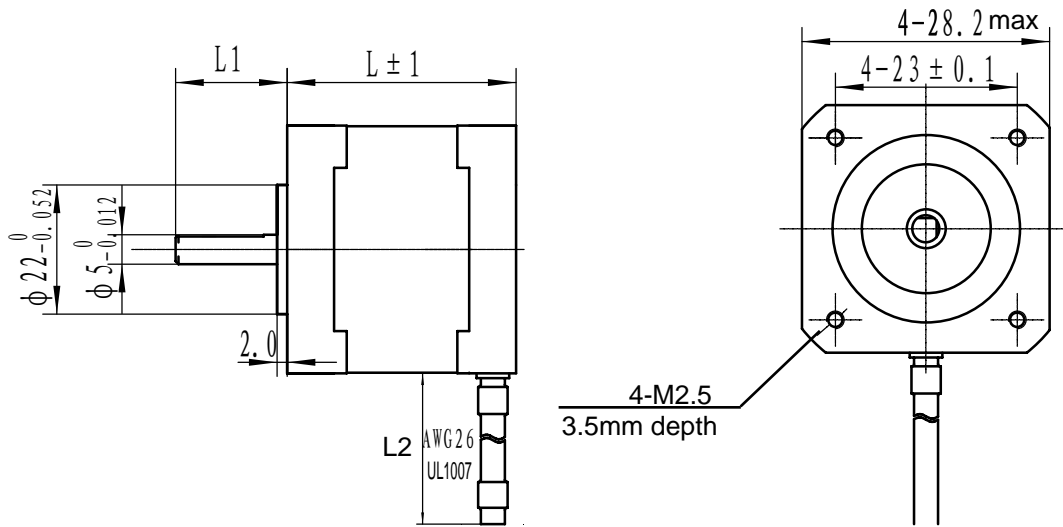
2. six lead wires wiring diagram



3. eight lead wires wiring diagram



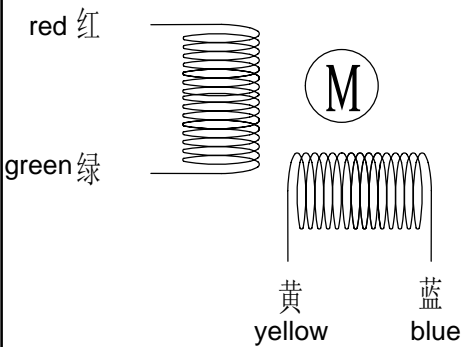
NEMA 11 SERIES DEMENSIONS



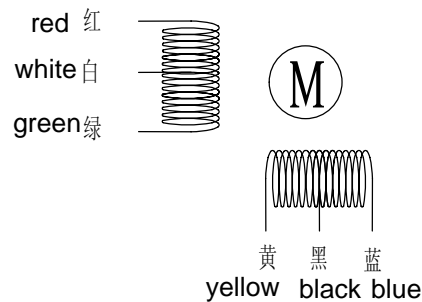
- Remark: 1. Shaft and wires length can be made according to customers requirements.
 2. Shaft can be made round or with flat side.
 3. Shaft can also be made double shaft. The length also can be made according to customers requirements.

WIRING DIAGRAM

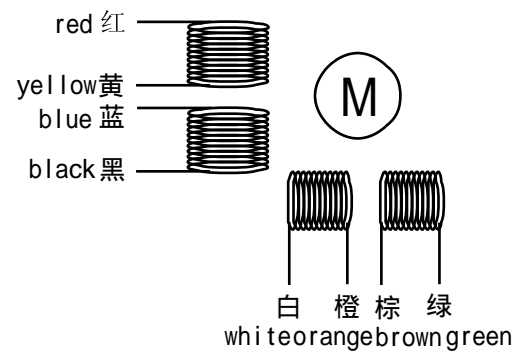
1. four lead wires wiring diagram



2. six lead wires wiring diagram

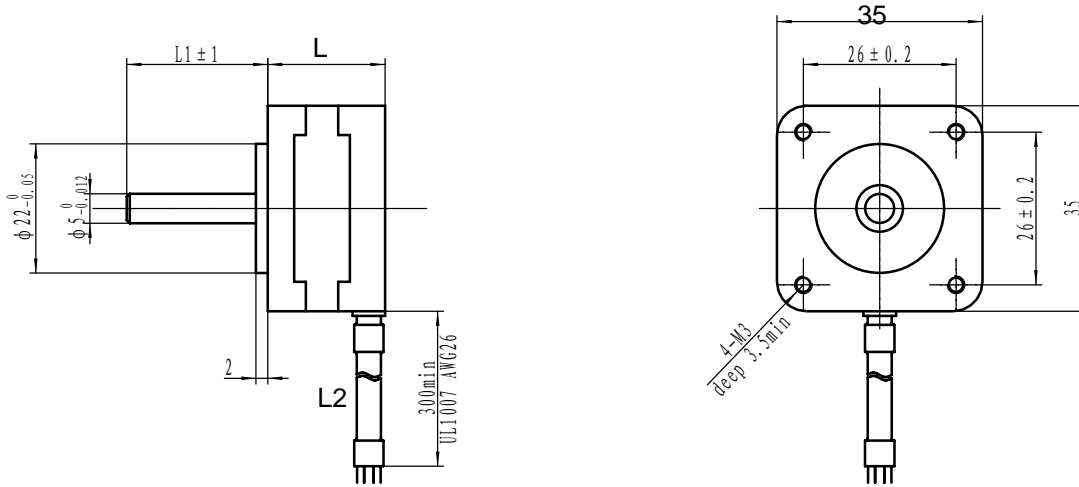


3. eight lead wires wiring diagram



NEMA 14 SERIES DEMENSIONS

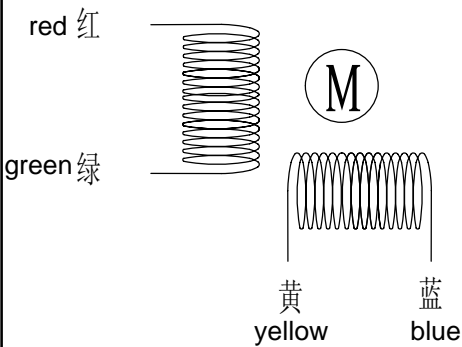
UNIT: mm



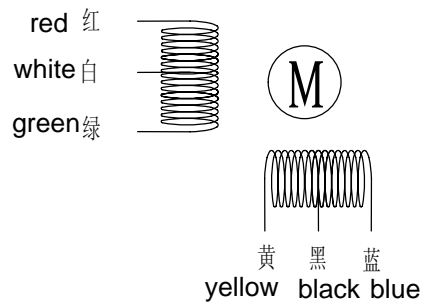
- Remark: 1. Shaft and wires length can be made according to customers requirements.
 2. Shaft can be made round or with flat side.
 3. Shaft can also be made double shaft. The length also can be made according to customers requirements.

WIRING DIAGRAM

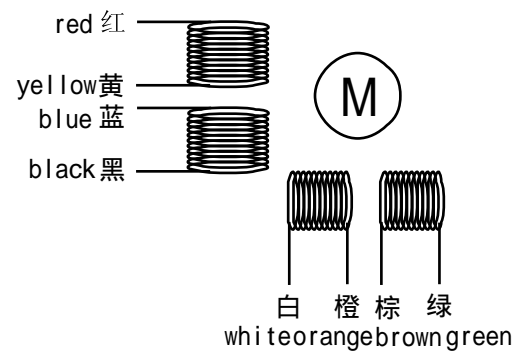
1. four lead wires wiring diagram



2. six lead wires wiring diagram

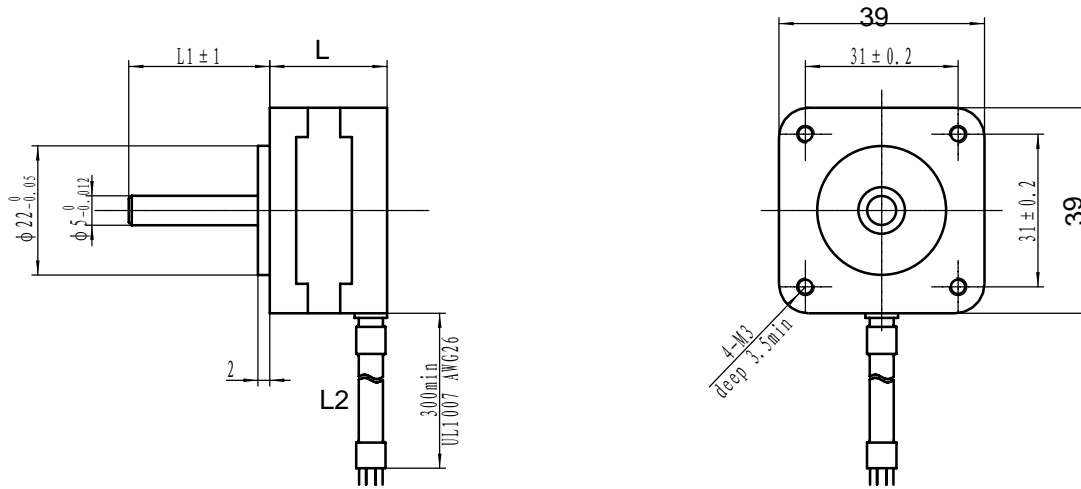


3. eight lead wires wiring diagram



NEMA 15 SERIES DEMENSIONS

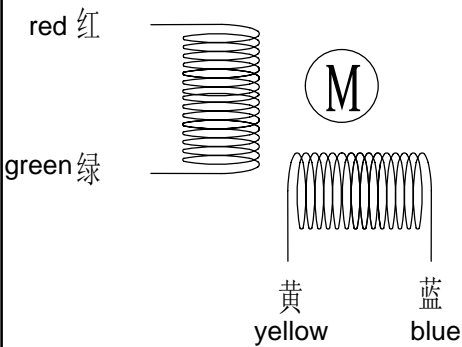
UNIT: mm



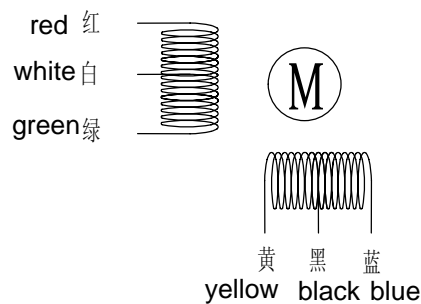
- Remark: 1. Shaft and wires length can be made according to customers requirements.
 2. Shaft can be made round or with flat side.
 3. Shaft can also be made double shaft. The length also can be made according to customers requirements.

WIRING DIAGRAM

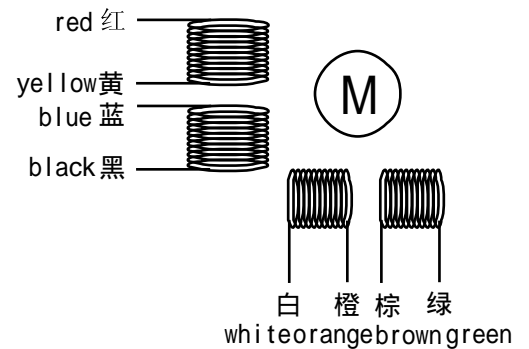
1. four lead wires wiring diagram



2. six lead wires wiring diagram

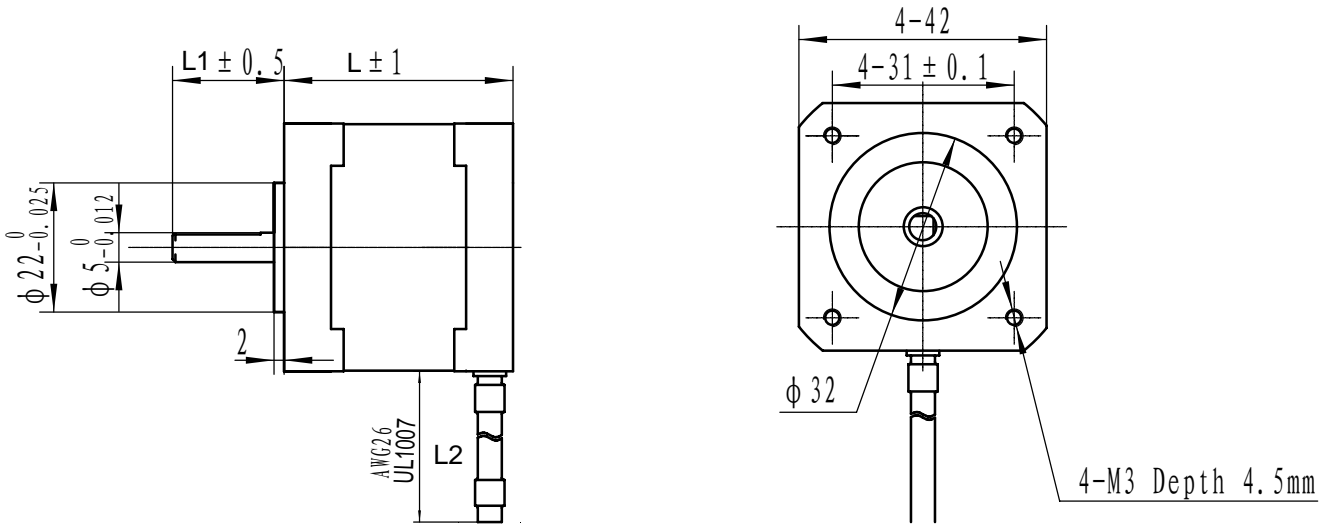


3. eight lead wires wiring diagram



NEMA 17 SERIES DEMENSIONS

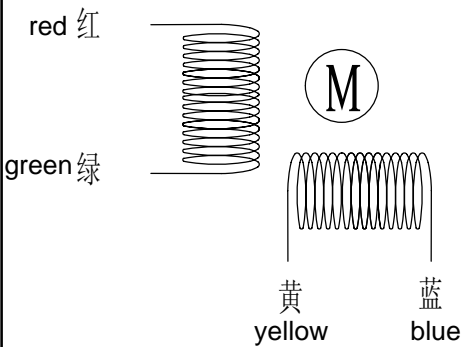
UNIT: mm



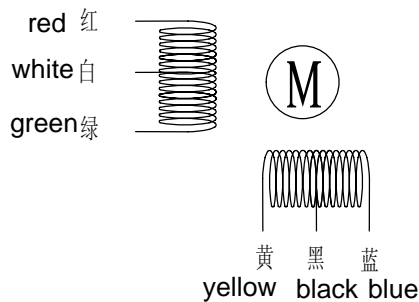
- Remark: 1. Shaft and wires length can be made according to customers requirements.
 2. Shaft can be made round or with flat side.
 3. Shaft can also be made double shaft. The length also can be made according to customers requirements.

WIRING DIAGRAM

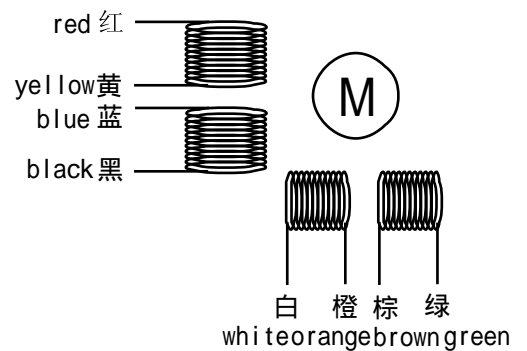
1. four lead wires wiring diagram



2. six lead wires wiring diagram

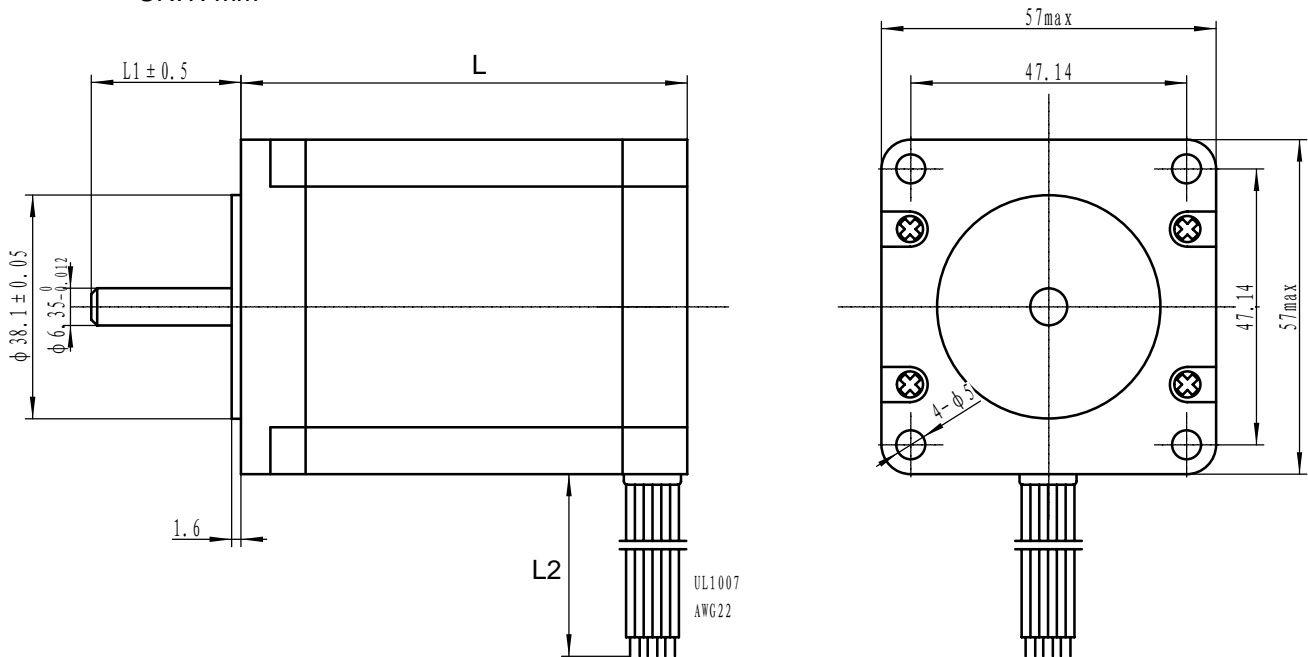


3. eight lead wires wiring diagram



NEMA 23 SERIES DEMENSIONS

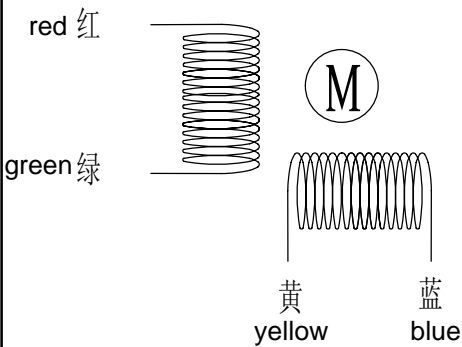
UNIT: mm



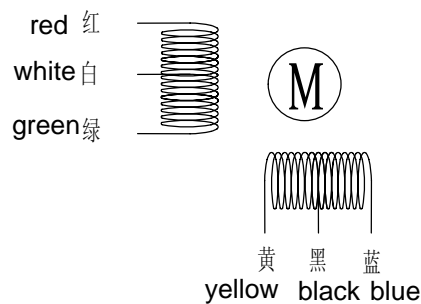
- Remark: 1. Shaft and wires length can be made according to customers requirements.
 2. Shaft can be made round or with flat side. Shaft diameter can be 6.35mm or 8mm.
 3. Shaft can also be made double shaft. The length also can be made according to customers requirements.

WIRING DIAGRAM

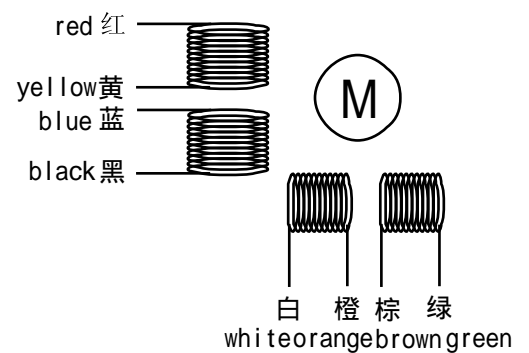
1. four lead wires wiring diagram



2. six lead wires wiring diagram

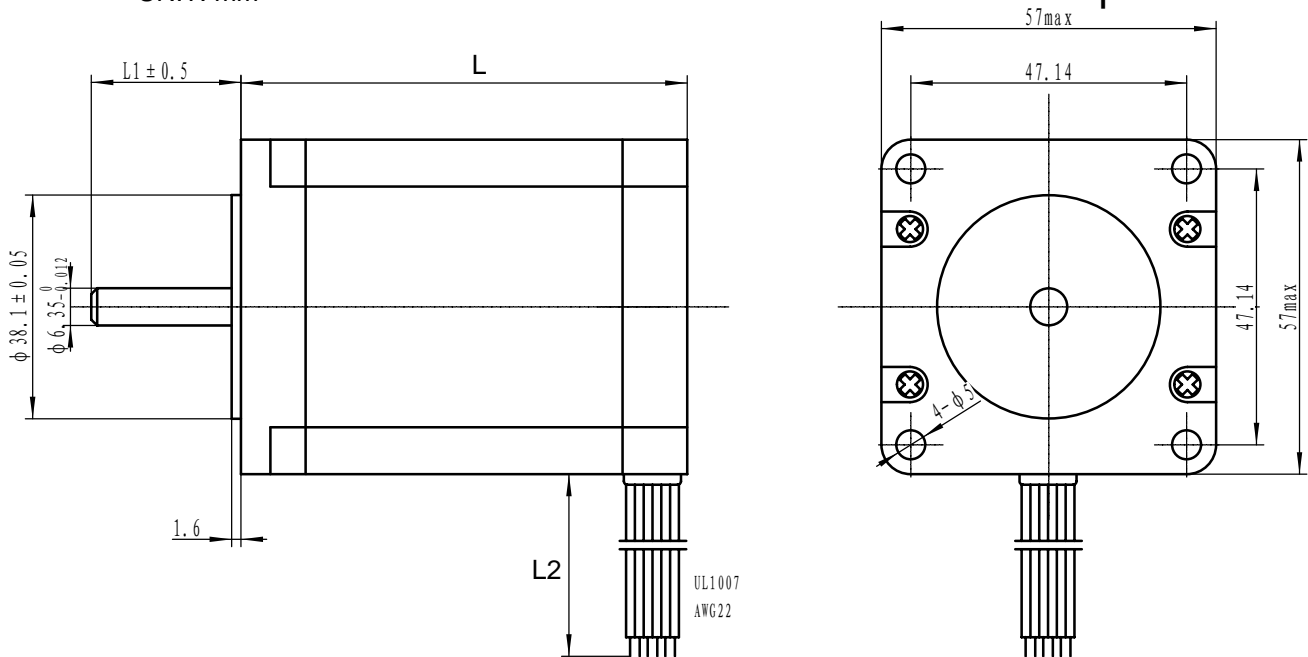


3. eight lead wires wiring diagram



NEMA 23 SERIES DEMENSIONS 3 phase

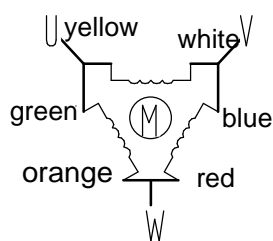
UNIT: mm



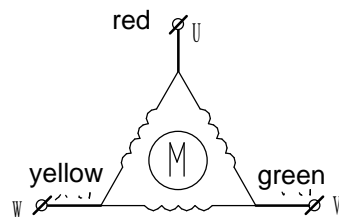
- Remark: 1. Shaft and wires length can be made according to customers requirements.
 2. Shaft can be made round or with flat side. Shaft diameter can be 6.35mm or 8mm.
 3. Shaft can also be made double shaft. The length also can be made according to customers requirements.

WIRING DIAGRAM

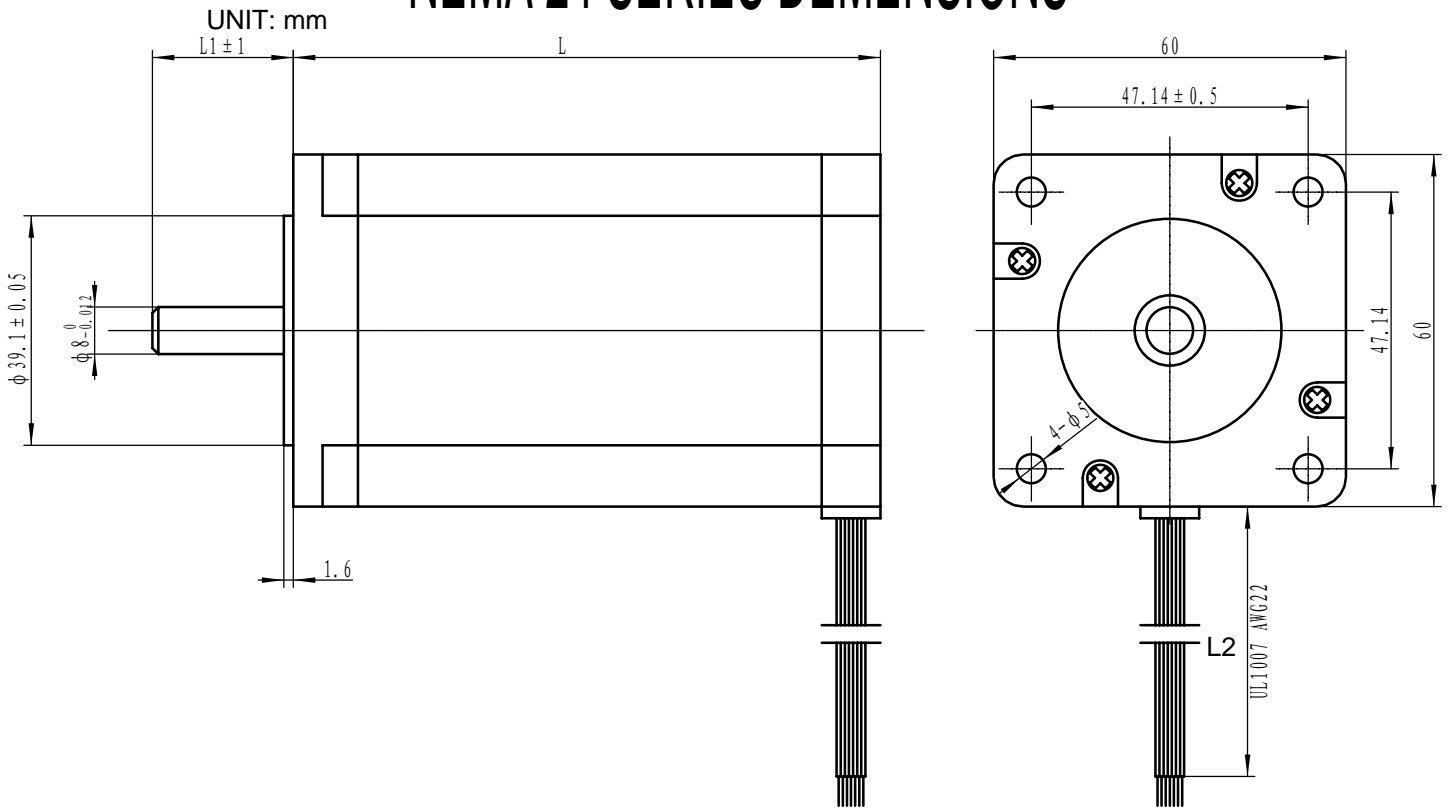
1. 3 lead wires wiring diagram



2. six lead wires wiring diagram



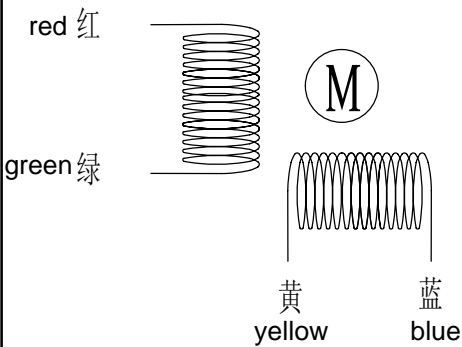
NEMA 24 SERIES DEMENSIONS



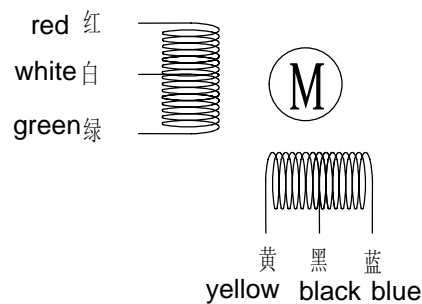
- Remark: 1. Shaft and wires length can be made according to customers requirements.
 2. Shaft can be made round or with flat side.
 3. Shaft can also be made double shaft. The length also can be made according to customers requirements.

WIRING DIAGRAM

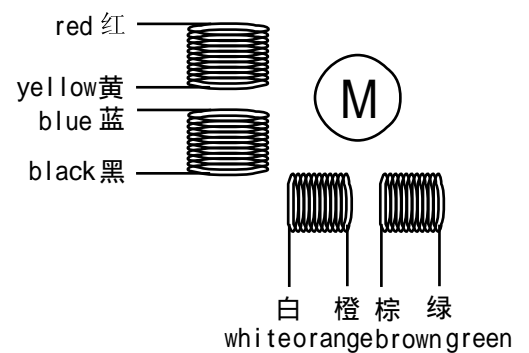
1. four lead wires wiring diagram



2. six lead wires wiring diagram

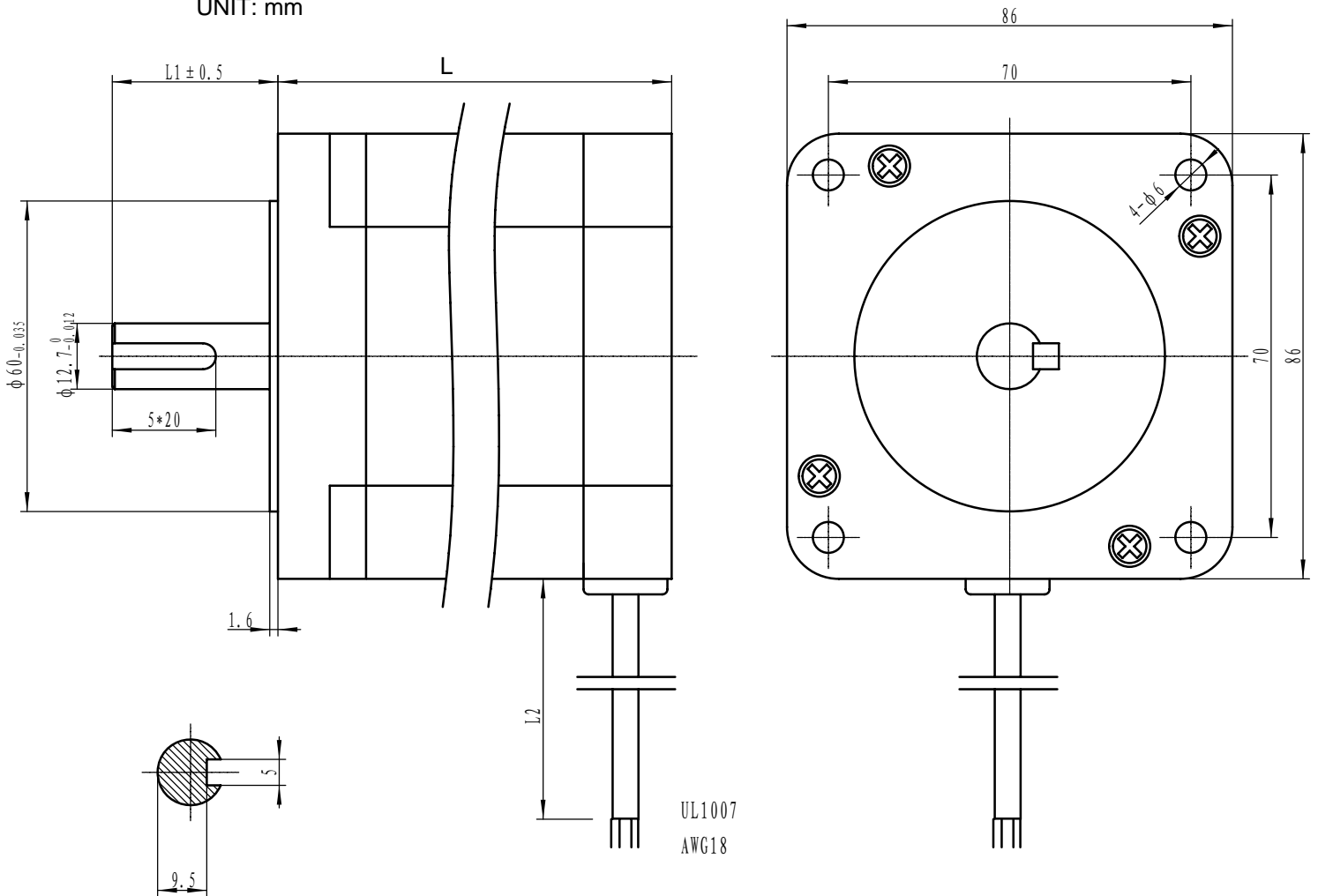


3. eight lead wires wiring diagram



NEMA 34 SERIES DEMENSIONS

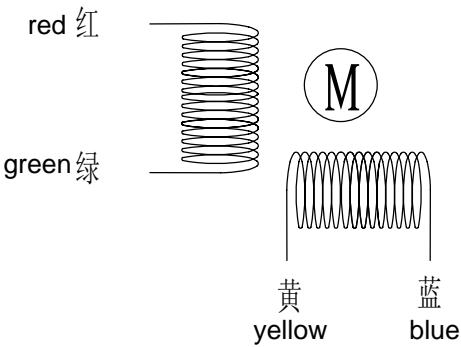
UNIT: mm



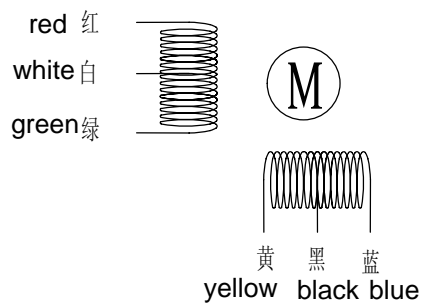
- Remark: 1. Shaft and wires length can be made according to customers requirements.
 2. Shaft can be made round or with flat side or with key slot. Shaft diameter can be 12.7mm or 14mm
 3. Shaft can also be made double shaft. The length also can be made according to customers requirements.

WIRING DIAGRAM

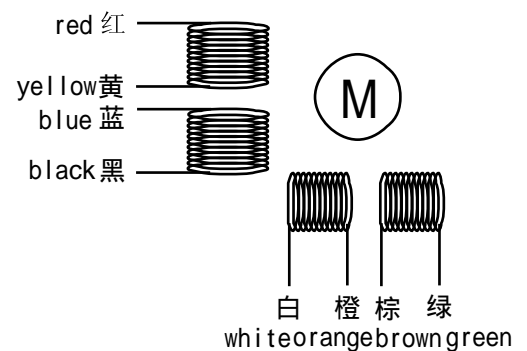
1. four lead wires wiring diagram



2. six lead wires wiring diagram

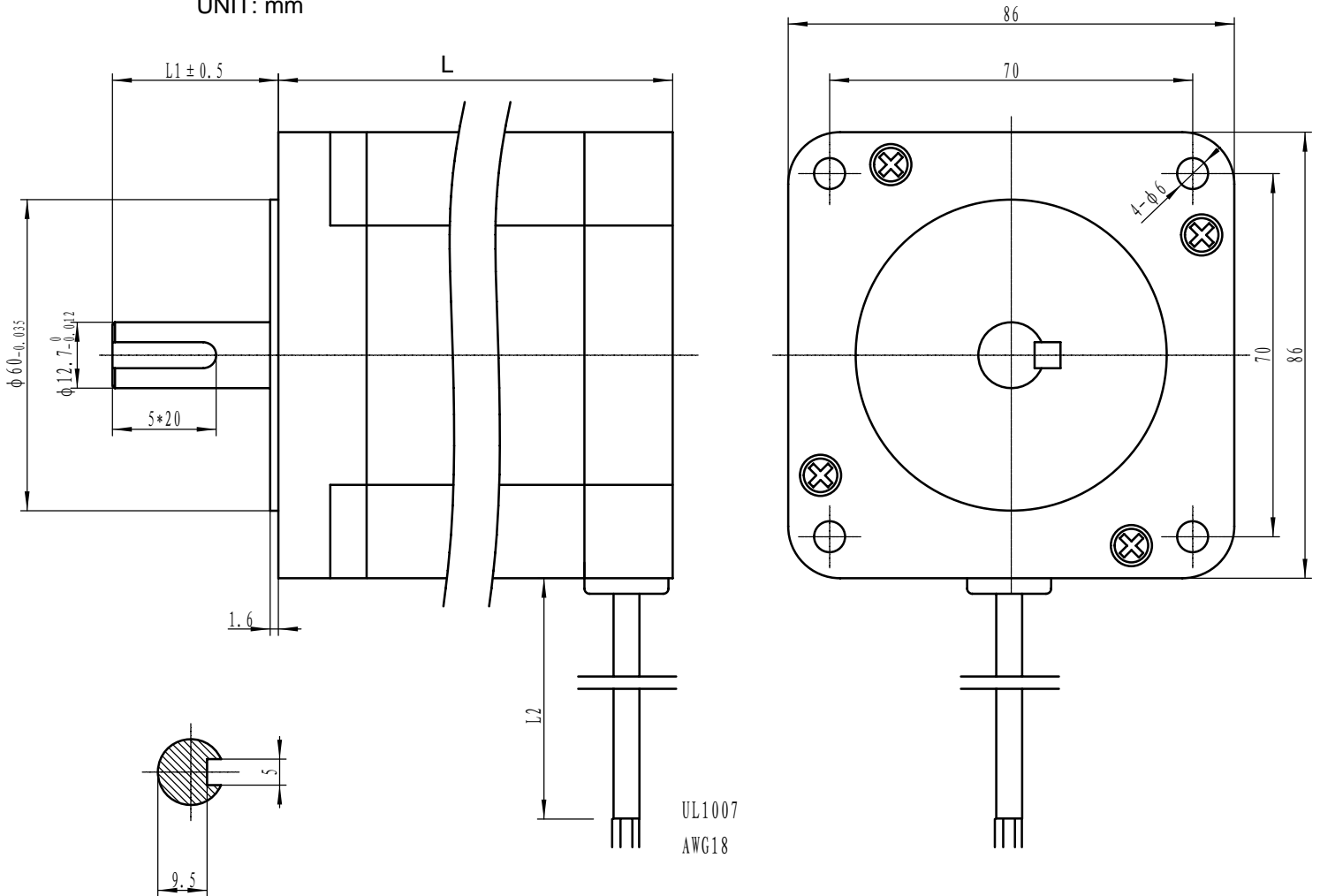


3. eight lead wires wiring diagram



NEMA 34 SERIES DEMENSIONS

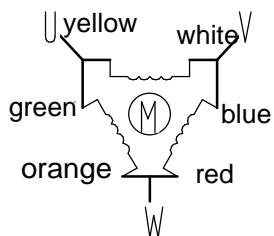
UNIT: mm



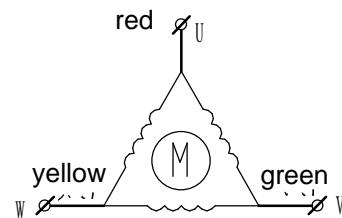
- Remark: 1. Shaft and wires length can be made according to customers requirements.
 2. Shaft can be made round or with flat side or with key slot. Shaft diameter can be 12.7mm or 14mm
 3. Shaft can also be made double shaft. The length also can be made according to customers requirements.

WIRING DIAGRAM

1. 3 lead wires wiring diagram

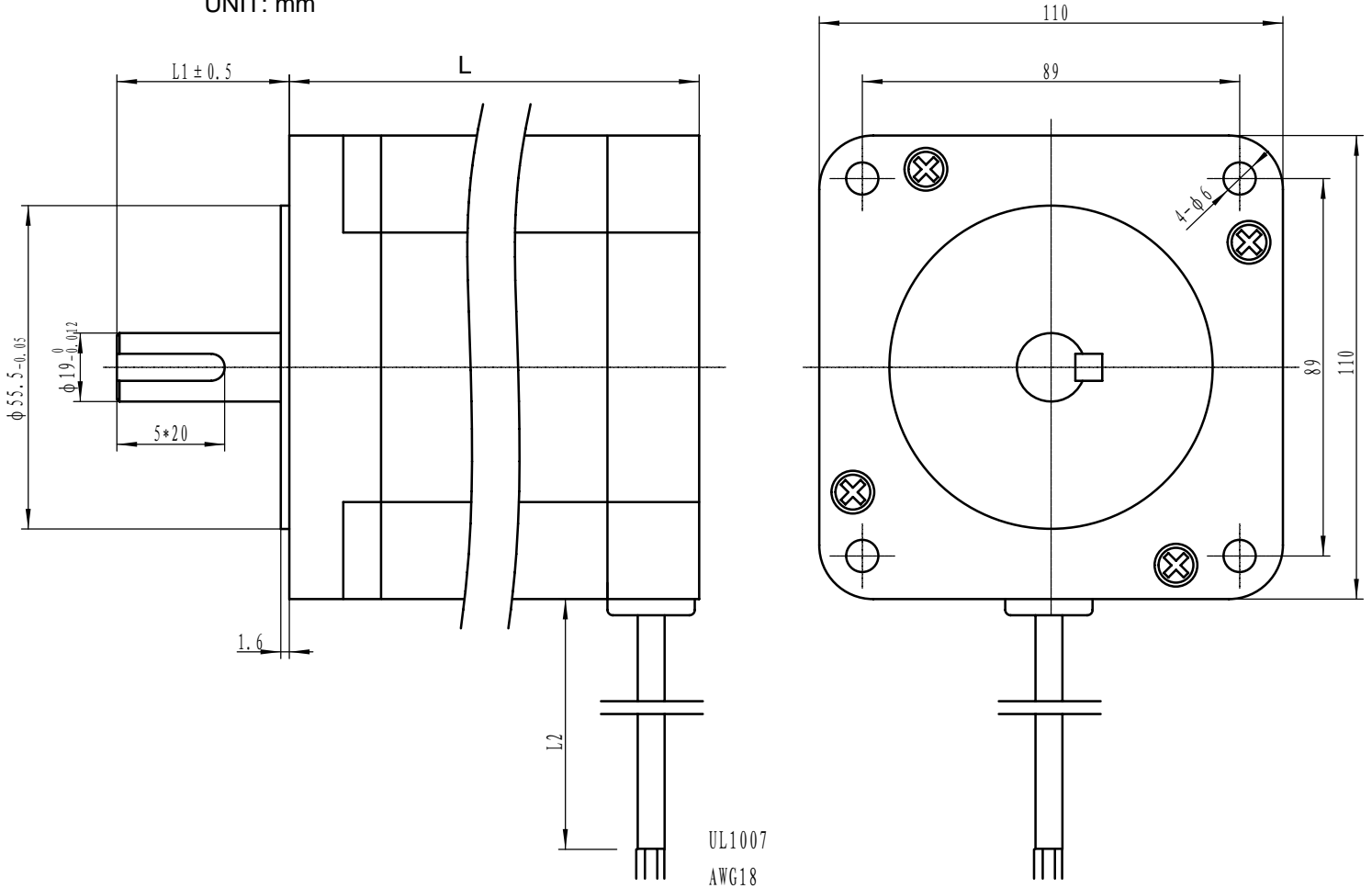


2. six lead wires wiring diagram



NEMA 43 SERIES DEMENSIONS

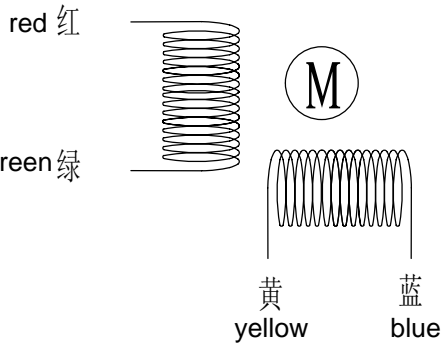
UNIT: mm



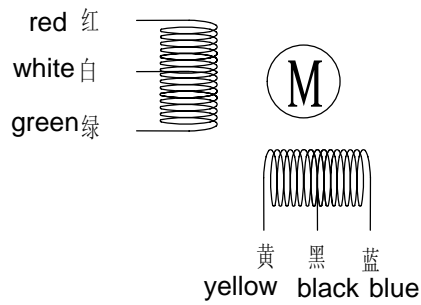
- Remark: 1. Shaft and wires length can be made according to customers requirements.
 2. Shaft can be made round or with flat side or with key slot.
 3. Shaft can also be made double shaft. The length also can be made according to customers requirements.

WIRING DIAGRAM

1. four lead wires wiring diagram



2. six lead wires wiring diagram



3. eight lead wires wiring diagram

